

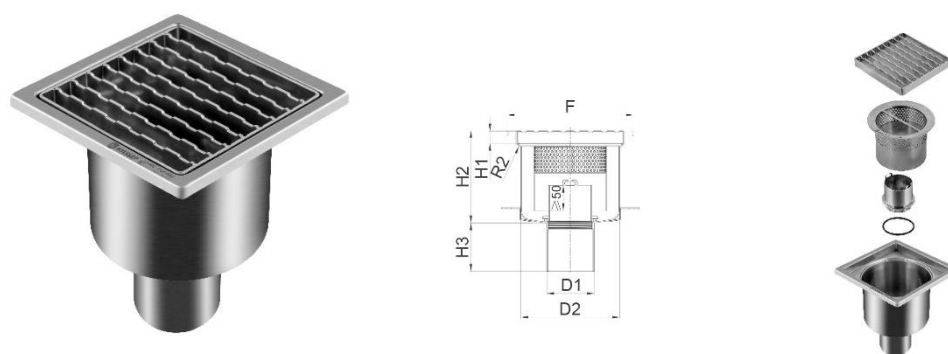
Kylssep manufactures high-quality,practical,cost-effective stainless steel drainage products since 2009 that included for water and liquids in general for the most hygienically demanding industries such as food industry, the building industry as well as kitchen,drinks, wineries, etc...

We have over 50 patented products and got nice reputation from our domestic Clients,Now we just want to deliver our reliable,time-tested drainage products to you.

As a trusted leader in stainless steel drainage products factory, we always stay true to our cause, always delivering on our promise, expert advice, and exceptional value to our clients. Committed to providing clients with high-quality overall solutions for industrial drainage system.

Stainless Steel Floor Drain

1.1 Square Stainless Steel floor drain



Model No.: KYDL-BT

Material: SUS304/316L

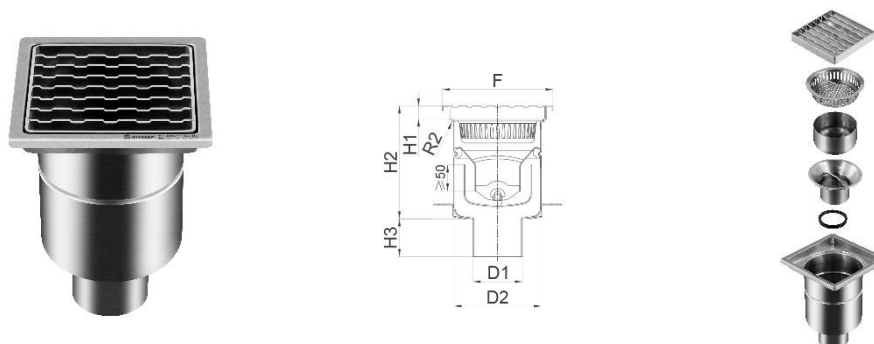
Size	F	H1	H2	H3	D1	D2	Flow rate/gpm
DN50	220*220	25	145	50	ø50	ø164	52.31
DN75	220*220	25	165	50	ø75	ø164	88.76
DN110	260*260	25	190	100	ø110	ø204	183.86
DN160	300*300	25	215	100	ø160	ø244	263.12
DN200	360*360	30	230	100	ø200	ø304	355.05

Features:

1. Anti-corrosion
2. Detachable design,easy to assemble and use
3. Be burdened with 3 tons
4. Prevents the formation of bacteria, odor and pest entry
5. highest hygienic design and construction standards
6. possibility to select a grate depending on application and load class,
7. easy installation,
8. due to suitable trap design, simple design,
9. easy and effective cleaning.

Appication: **Food industry,Kitchen,Water and drinks company.**

1.2 Square Stainless Steel Floor Drain



Model No.:KYDL-JJ

Material: Sus304/316L/321

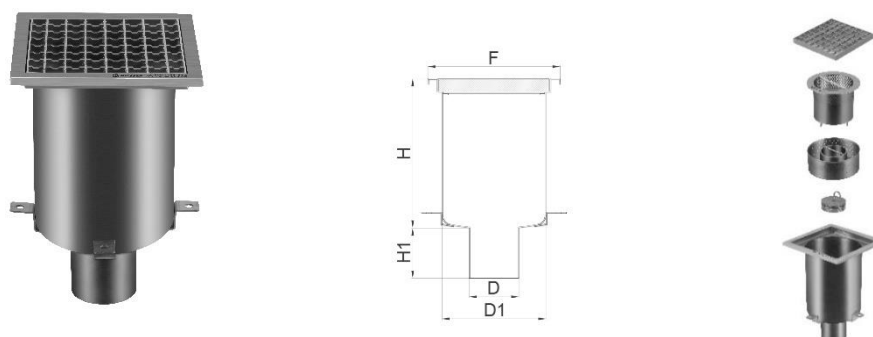
Size	F	H1	H2	H3	D1	D2	Flow Rate/gpm
DN75	220*220	25	225	75	ø75	ø174	103.03
DN110	220*220	25	225	75	ø110	ø174	123.63
DN160	300*300	25	265	85	ø160	ø254	286.89
DN200	300*300	25	265	85	ø200	ø304	355.05

Features:

1. Anti-corrosion
2. Detachable design,easy to assemble and clean
3. Improved airtightness
4. Prevents the formation of bacteria, odor and pest entry

Appication: **Pharmaceuticals company,Dairy factory**

1.3 Square Stainless Steel Floor Drain



Model No.:KYDL-BT2

Material:SUS304/316L/321

Size	F	H	H1	D	D1	Flow Rate/gpm
DN50	190*190	250	50	ø50	ø134	20.61

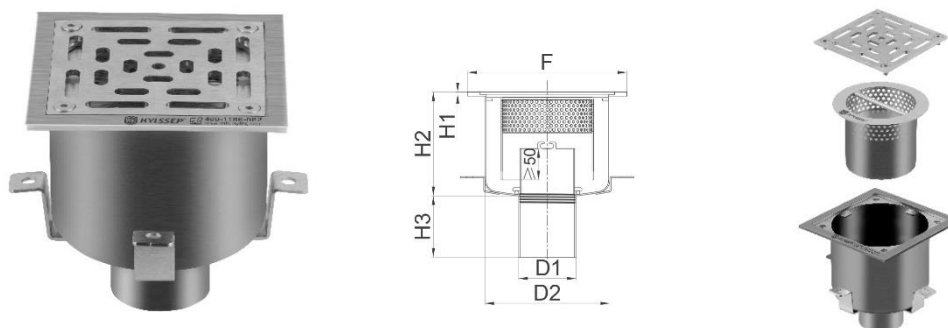
DN75	220*220	270	50	ø75	ø164	47.55
DN110	260*260	300	100	ø110	ø204	79.25
DN160	300*300	320	100	ø160	ø244	160.09
DN200	360*360	335	100	ø200	ø304	285.31

Features:

1. Anti-corrosion
2. Detachable design,easy to assemble and clean
3. Double strainers
4. Prevents the formation of bacteria, odor and pest entry

Appication: **Butchery**

1.4 Square Stainless Steel Floor Drain



Model No.:KYDL-FD

Material: SUS304/316L/321

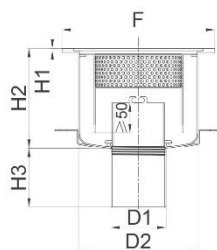
Size	F	H	H1	D1	D2	Flow Rate/gpm
DN50	160*160	125	50	ø50	ø134	50.72
DN75	190*190	145	50	ø75	ø164	87.18
DN110	230*230	170	100	ø110	ø204	182.28
DN160	270*270	195	100	ø160	ø244	256.78
DN200	340*340	210	100	ø200	ø304	350.29

Features:

1. Anti-corrosion,Prevents the formation of bacteria, odor and pest entry
2. Detachable design,easy to assemble and clean
3. Anti-lost
4. High-intensity

Appication: **Park Lots,Public Area**

1.5 Round Stainless Steel Floor Drain



Model No.:KYDL-QY Material:SUS304/316L/321

Size	F	H1	H2	H3	D1	D2	Flow Rate/gpm
DN50	ø190	4	140	50	ø50	ø134	50.72
DN75	ø220	4	160	50	ø75	ø164	87.18
DN110	ø280	5	195	100	ø110	ø224	201.30
DN160	ø300	6	210	100	ø160	ø244	256.78
DN200	ø360	8	225	100	ø200	ø304	347.12

Features:

1. Anti-corrosion
2. Detachable design,easy to assemble and clean
3. High-intensity
4. Prevents the formation of bacteria, odor and pest entry

Appication: **Jam-canned factory,Poultry,Cheese-dairies etc**

1.6 Square Stainless Steel Floor Drain



Model No.:KYDL-LJ

Material: SUS304/316L/321

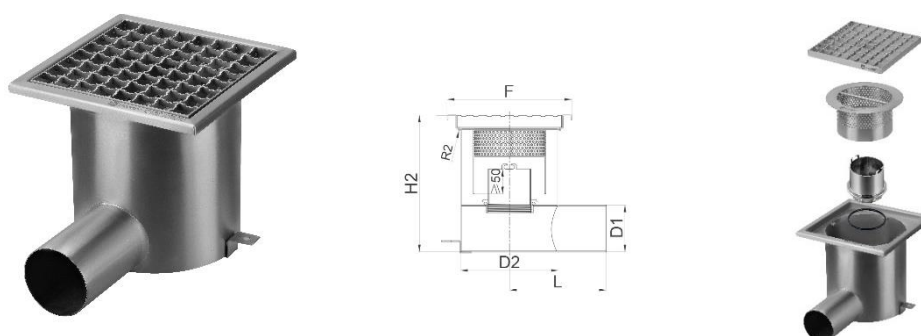
Size	F	H	H1	D	D1	Flow Rate/gpm
DN50	260*260	290	100	∅50	∅204	53.89
DN75	260*260	290	100	∅75	∅204	91.93
DN110	355*355	290	100	∅110	∅299	212.39
DN160	355*355	290	100	∅160	∅299	271.04
DN200	405*405	290	100	∅200	∅349	362.97

Features:

1. Anti-corrosion,Prevents the formation of bacteria, odor and pest entry
2. Detachable design,easy to assemble and clean
3. High-intensity
4. Hygienic Sanitary drainage system

Appication: **Drinks/Wine/Water Factory**

1.7 Square Stainless Steel Floor Drain-Side outlet



Model No.:KYDL-CP

Material: SUS304/316L/321

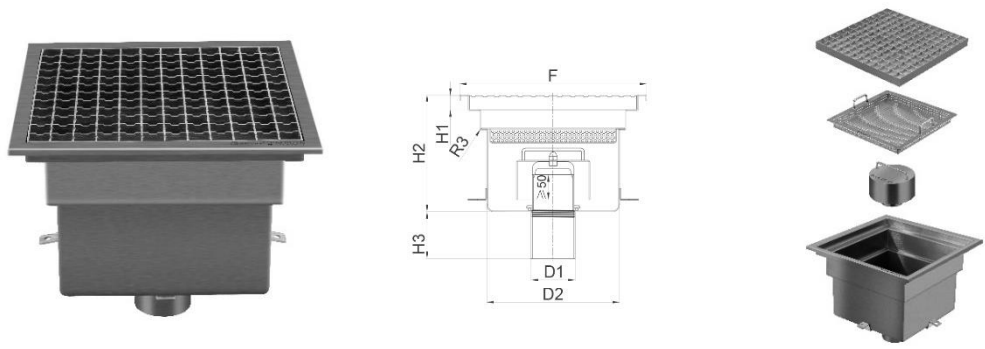
Size	F	H2	L	D1	D2	Flow Rate/gpm
DN50	220*220	195	182	∅50	∅164	49.14
DN75	220*220	245	182	∅75	∅164	84.01
DN110	300*300	315	272	∅110	∅244	194.96
DN160	300*300	355	272	∅160	∅244	247.27
DN200	360*360	430	302	∅200	∅304	336.03

Features:

1. Anti-corrosion,Prevents the formation of bacteria, odor and pest entry
2. Detachable design,easy to assemble and clean
3. High-intensity
4. Hygienic Sanitary drainage system

Appication: **Buildings**

1.8 Square Stainless Steel Floor Drain



Model No.:KYDL-JS Material: SUS304/316L/321

Size	F	H1	H2	H3	D1	D2	Flow Rate/gpm
DN50	300*300	30	250	50	∅50	184*184	53.89
DN75	350*350	30	280	50	∅75	234*234	93.52
DN110	430*430	30	330	100	∅110	314*314	217.15
DN160	450*450	30	350	100	∅160	334*334	277.38
DN200	500*500	30	400	100	∅200	384*384	374.07

Features:

1. Anti-slip cover,With Tray prevents the formation of bacteria, odor and pest entry
2. Detachable design,easy to assemble and clean
3. Big water flow, Odor-resistant and Anti-corrosion
4. Hygienic Sanitary drainage system
5. Waste water collection Channel

Appication: **Butchery,CIP Room,Vegetable Cleaning Room**